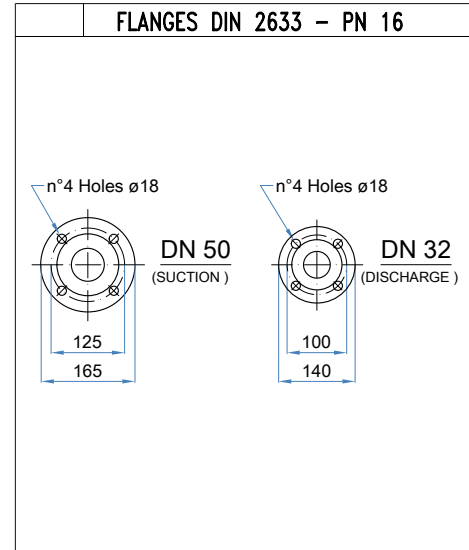
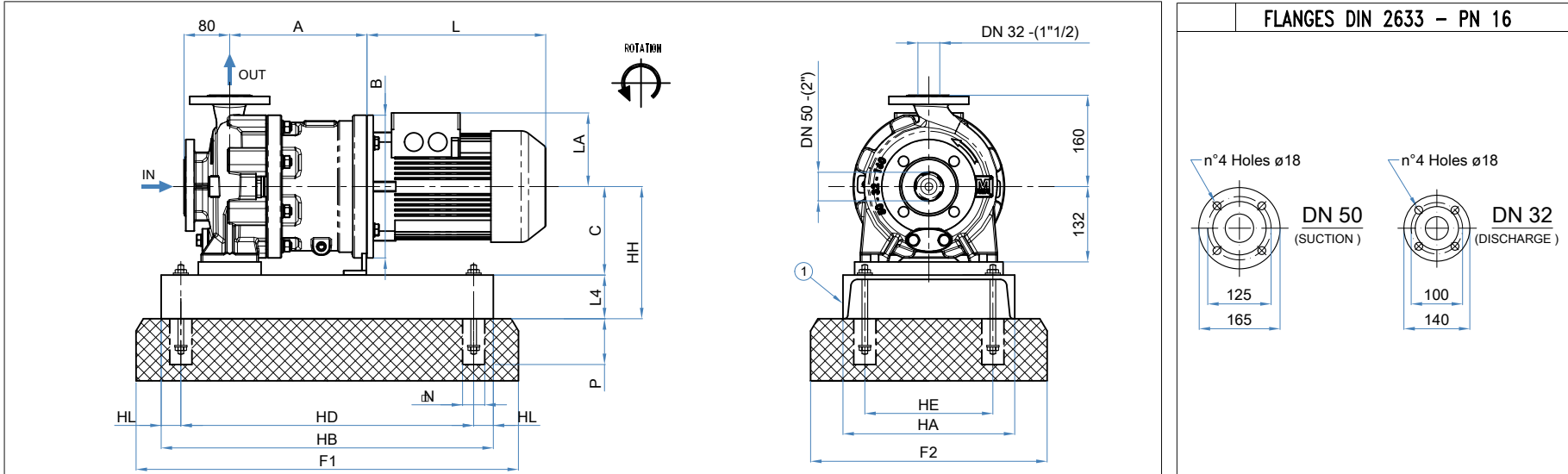


OUTLINE DRAWING

CODE: D13207 Rev.:00



EXTERNAL MAGNET	PART. 1	FOOT PRINT SKETCH	PUMP					WEIGHT (kg)		
			MOTOR SIZE	A	B (Ø)	C	D	K	Weight pump (without motor)	Baseplate
			90	229	300	164	196	149.5	52	32
			100/112	240	250	155	180	160.5		
			132	260	300	157	170	180.5		
			160	290	350	180	189	210.5		

MOTOR	MAX. (Kw)		SHAFT Ø d	DIMENSIONS				BASE PLATE N°	BASEPLATE (mm)								FOUNDATION (mm)				BOLTS Ød1 x l
	2P	4P		L	LA	LB	HH		HB	HD	HL	HE	HA	L4	N° BOLTS	F1	F2	□ N	P		
90 S	1.5	1.1	24				E09	264	600	550	25	200	300	100	4	750	500	120	250	M16 x 270	
90 L	2.2	1.5																			
100 L	3.0	2.2	28				E10	255	600	550	25	200	300	100	4	750	500	120	250	M16 x 270	
		3.0																			
112 M	4.0	4.0	28				E11	257	600	550	25	200	300	100	4	750	500	120	250	M16 x 270	
132 S	5.5	5.5	38																		
	7.5																				
132 M	9.2	7.5	38				E20	280	600	550	25	200	300	100	4	750	500	120	250	M16 x 270	
160 M	11.0	/	42																		
	15.0	/																			

Motor:

Pump model: CL MAG-M 50-32-160

DATE:

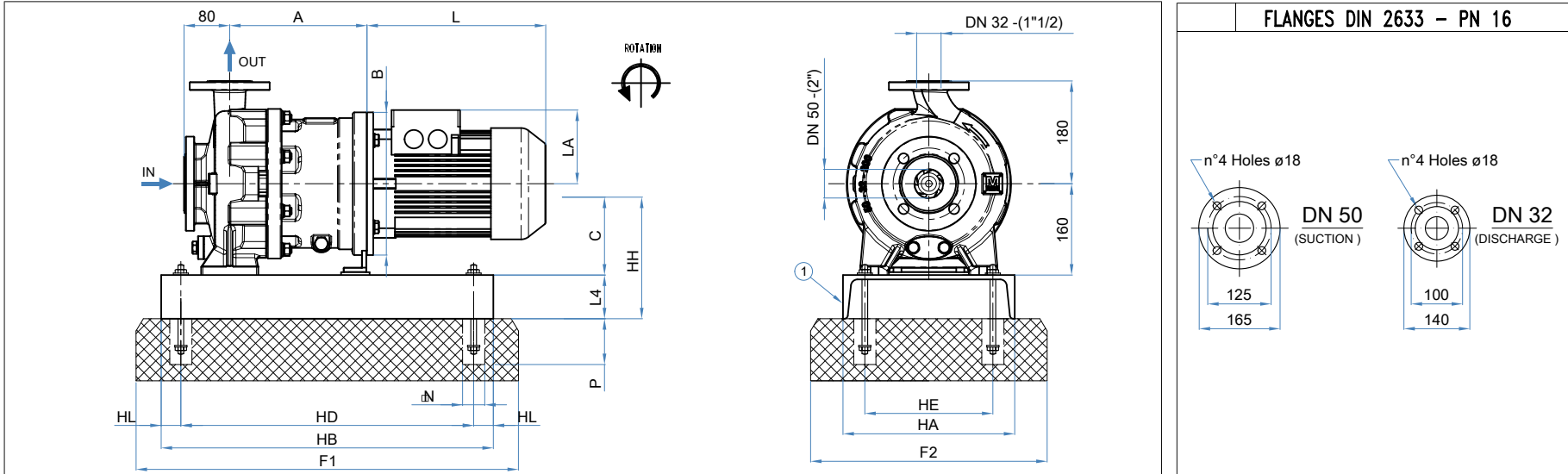
ITEM:

PURCHASE ORDER:

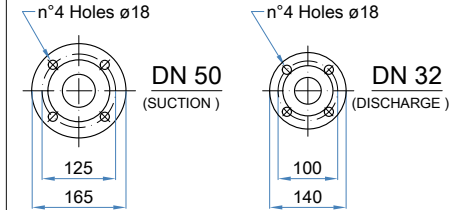
CUSTOMER NAME:

OUTLINE DRAWING

CODE: D13208 Rev.:01



FLANGES DIN 2633 - PN 16



EXTERNAL MAGNET	PART. 1	FOOT PRINT SKETCH	PUMP					WEIGHT (kg)		
			MOTOR SIZE	A	B (Ø)	C	D	K	Weight pump (without motor)	Baseplate
			100/112	240	250	155	180	160.5	56	32
			132	260	300	157	170	180.5		
			160/180	290	350	180	189	210.5		

MOTOR	MAX. (Kw)		SHAFT Ø d	DIMENSIONS			BASE PLATE N°	BASEPLATE (mm)								FOUNDATION (mm)				BOLTS Ød1 x l
	2P	4P		L	LA	LB		HH	HB	HD	HL	HE	HA	L4	N° BOLTS	F1	F2	□ N	P	
100 L	3	2.2 3	28				E10	260												
112 M	4	4	28				E22	260	600	550	25	200	300	100	4	750	500	120	250	M16 x 270
132 S	5.5 7.5	5.5	38																	
132 M	/	7.5	38				E23	280												
160 M	11 15	/	42																	
	18.5	/																		
180 M	22	/	48																	

Motor:

Pump model: CL MAG-M 50-32-200

DATE:

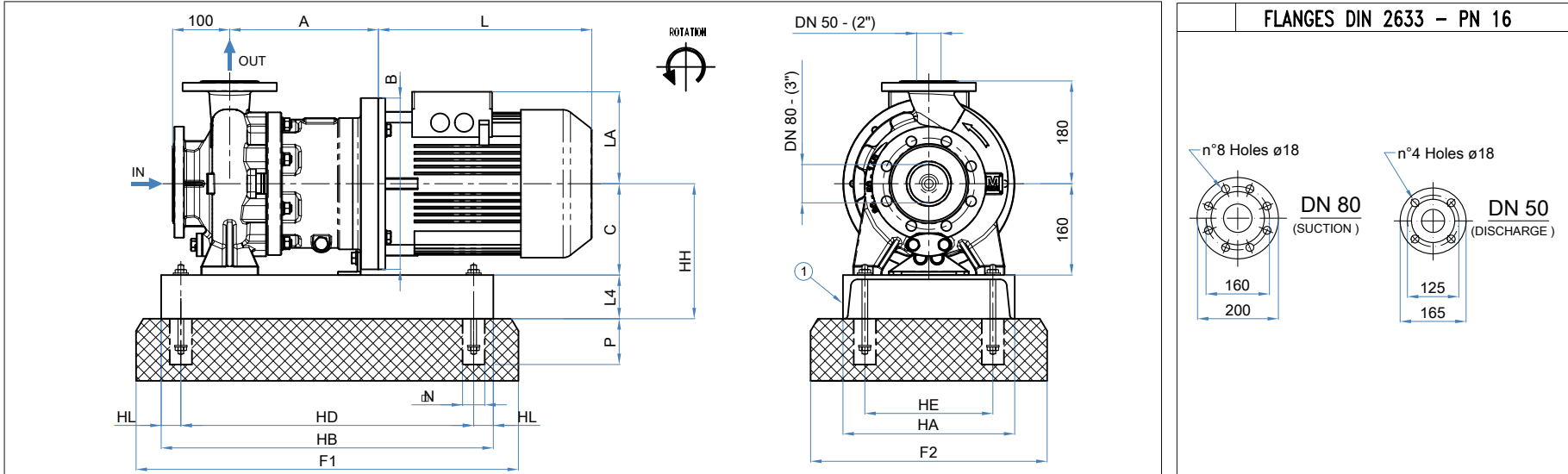
ITEM:

PURCHASE ORDER:

CUSTOMER NAME:

OUTLINE DRAWING

CODE: D13211 Rev.:01



EXTERNAL MAGNET	PART. 1	FOOT PRINT SKETCH	PUMP					WEIGHT (kg)		
			MOTOR SIZE	A	B (Ø)	C	D	K	Weight pump (without motor)	Baseplate
			100/112	240	250	155	180	160.5	56	32
			132	260	300	157	170	180.5		
			160/180	290	350	180	189	210.5		

MOTOR	MAX. (Kw)		SHAFT Ø d	DIMENSIONS			BASE PLATE N°	BASEPLATE (mm)								FOUNDATION (mm)				BOLTS Ød1 x l
	2P	4P		L	LA	LB		HH	HB	HD	HL	HE	HA	L4	N° BOLTS	F1	F2	□ N	P	
100 L	3	2.2 3	28				E18	260												
112 M	4	4	28				E19	260	600	550	25	200	300	100	4	750	500	120	250	M16 x 270
132 S	5.5 7.5	5.5	38				E21	280												
132 M	/	7.5	38																	
160 M	11 15 18.5	/	42																	
180 M	22	/	48																	

Motor:

Pump model: CL MAG-M 80-50-160

DATE:

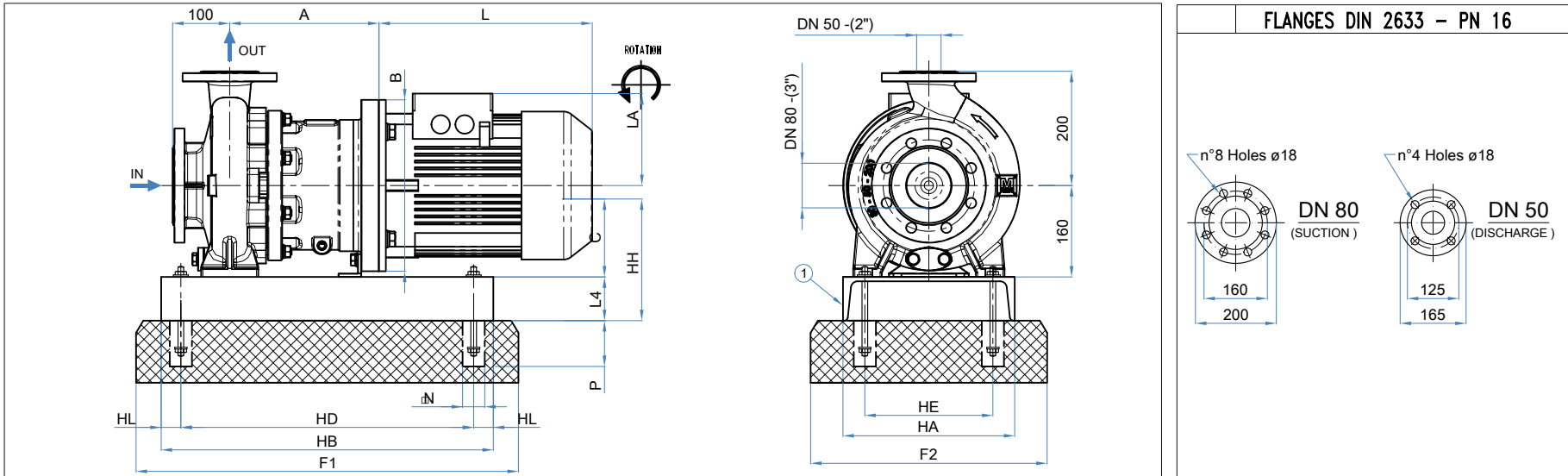
ITEM:

PURCHASE ORDER:

CUSTOMER NAME:

OUTLINE DRAWING

CODE: D13212 Rev.:01



EXTERNAL MAGNET	PART. 1	FOOT PRINT SKETCH	PUMP					WEIGHT (kg)		
			MOTOR SIZE	A	B (Ø)	C	D	K	Weight pump (without motor)	Baseplate
			100/112	240	250	155	180	160.5	61	32
			132	260	300	157	170	180.5		
			160/180	290	350	180	189	210.5		

MOTOR	MAX. (Kw)		SHAFT Ø d	DIMENSIONS			BASE PLATE N°	BASEPLATE (mm)								FOUNDATION (mm)			BOLTS Ød1 x l	
	2P	4P		L	LA	LB		HH	HB	HD	HL	HE	HA	L4	N° BOLTS	F1	F2	□ N		P
100 L	3	3	28				E18	260												
112 M	4	4	28				E19	260	600	550	25	200	300	100	4	750	500	120	250	M16 x 270
132 S	5.5 7.5	5.5	38																	
132 M	/	7.5	38				E21	280												
160 M	11 15 18.5	/	42																	
180 M	22	/	48																	

Motor: _____
 Pump model: CL MAG-M 80-50-200

DATE: _____
 ITEM: _____
 PURCHASE ORDER: _____
 CUSTOMER NAME: _____